



carbatec®

6" x 12" Belt and Disc Sander with Stand

BDS-1530P MANUAL

CARBATEC.COM.AU

2 YEAR
WARRANTY

THANK YOU FOR CHOOSING carbatec®

Carbatec has been a trusted brand for woodworking enthusiasts and professionals across Australia and New Zealand, since 1987.




Our quality woodworking products are designed and built to offer value and performance, making the latest features and technological advancements more accessible to Aussie woodworkers.

Backed by our no-fuss after-sales care and warranty support, you can trust Carbatec to keep you woodworking, as promised.

We look forward to sharing in your woodworking journey!

If you have any questions about our products or service, please call us on **1800 658 111** or email us at info@carbatec.com.au

Find us on social media

-  facebook.com/Carbatec
-  instagram.com/Carbatec
-  youtube.com/CarbaTecToolsForWood

WHAT'S IN THE BOX

The following items are provided in the shipping box:

- **Sander**
- **Closed stand components**
- **Bolts and rubber feet**
- **Mitre gauge**
- **Assembly tools**
- **Instruction manual**

This belt and disc sander will require a minimal amount of assembly.

1. Remove parts from all of the cartons and lay them on a clean work surface.
2. Remove any protective materials and coatings from the machine and from all of the parts. The protective coatings can be removed by spraying WD-40 on them and wiping it off with a soft cloth. This may need to be redone several times before all of the protective coatings are removed completely.
3. Compare the items above to verify that all items are accounted for before discarding the shipping box.



WARNING

DO NOT USE ACETONE, gasoline or lacquer thinner to remove any protective coatings.



CAUTION

If any parts are missing, do not attempt to plug in the power cord and turn "ON" the spindle sander. The machine can only be turned "ON" after all the parts have been obtained and installed correctly.

IMPORTANT

DUST COLLECTION: All woodworking machines require effective dust extraction to ensure quality work and longevity of the machine itself. Failure to connect your machine to a suitable dust collector may affect your warranty. The collector required for your machine will depend on several factors including the type of machine and its dust port connection, distance between collector and machine, type and frequency of use and the material being worked. We recommend a dust collector that will provide you a minimum airflow of 1200-CFM when measured at the machine connection.


4

Key information can be found on the inspection panel, found on the rear of the machine.

carbatec
QUALITY INSPECTED

Model:
Voltage
Freq:
Phase:
Amp:
kW:
Speed:
Lot No.:
Serial No.:
Date:

Made in for:
CARBATEC PTY LTD
Brisbane - Australia




Record the serial number and date of purchase in your manual for future reference.

SERIAL NUMBER:

.....

DATE OF PURCHASE:

.....

CONTENTS

INTRODUCTION	2
WHAT'S IN THE BOX	3
KEY INFORMATION	4
SAFETY INSTRUCTIONS - GENERAL	6 – 9
SAFETY INSTRUCTIONS - ELECTRICAL	10
OVERVIEW	11
SPECIFICATIONS	12
ASSEMBLY	14 – 16
OPERATION	17 – 20
MAINTENANCE	21 – 22
TROUBLESHOOTING	23
PARTS DIAGRAM & PARTS LISTS	24 – 29
WIRING DIAGRAM	30
WARRANTY	31

NOTE: The specifications, photographs, drawings and information in this manual represent the current machine model when the manual was prepared. Changes and improvements may be made at any time, with no obligation on the part of Carbatec to modify previously delivered units. Reasonable care has been taken to ensure that the information in this manual is correct, to provide you with the guidelines for the proper safety, assembly and operation of this machine.

SAFETY INSTRUCTIONS

IMPORTANT! Safety is the single most important consideration in the operation of this equipment. The following instructions must be followed at all times. Failure to follow all instructions listed below may result in electric shock, fire, and/or serious personal injury. There are certain applications for which this tool was designed. We strongly recommend that this tool not be modified and/or used for any other application other than that for which it was designed. If you have any questions about its application, do not use the tool until you have contacted us and we have advised you.

The purpose of safety symbols is to attract your attention to possible dangers. The safety symbols and the explanations with them deserve your careful attention and understanding. The symbol warnings do not, by themselves, eliminate any danger. The instructions and warnings they give are no substitutes for proper accident prevention measures.



WARNING

Be sure to read and understand all safety instructions in this manual, including all safety alert symbols such as **"DANGER," "WARNING,"** and **"CAUTION"** before using this tool. Failure to following all instructions listed below may result in electric shock, fire, and/or serious personal injury.

6

SYMBOL MEANING



A safety alert symbol Indicates **DANGER, WARNING,** or **CAUTION.** May be used in conjunction with other symbols or pictographs.



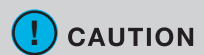
DANGER

Indicates an imminently hazardous situation, which, if not avoided, will result in death or serious injury.



WARNING

Indicates a potentially hazardous situation, which, if not avoided, could result in death or serious injury.



CAUTION

Indicates a potentially hazardous situation, which, if not avoided, could result in minor or moderate injury.

NOTICE

(Without Safety Alert Symbol) Indicates a situation that may result in property damage.



Carbatec products bearing the Regulatory Compliance Mark (RCM) have been tested in accordance with applicable Australian/New Zealand Standards to ensure their compliance with all mandatory standards and regulations (applicable at time of original sale). Carbatec Pty Ltd are registered as a responsible supplier with relevant Australian government departments and our products are registered on the EESS & ACMA database.

GENERAL SAFETY

Operating a power tool can be dangerous if safety and common sense are ignored. The operator must be familiar with the operation of this machine. Read this manual to understand this machine. **DO NOT OPERATE** this machine **IF YOU DO NOT FULLY UNDERSTAND** the limitations of this tool. **DO NOT MODIFY** this machine in any way.

BEFORE USING THIS MACHINE



WARNING

To avoid serious injury and damage to the tool, read and follow all of the Safety and Operating Instructions before operating the machine.



WARNING

1. SOME DUST CREATED BY USING POWER TOOLS CONTAINS CHEMICALS

known to cause cancer, birth defects, or other reproductive harm. Some examples of these chemicals are:

- Lead from lead-based paints.
- Crystalline silica from bricks, cement, and other masonry products.
- Arsenic and chromium from chemically treated lumber.

Your risk from these exposures varies, depending on how often you do this type of work. To reduce your exposure to these chemicals: **WORK IN A WELL VENTILATED AREA** and work **WITH APPROVED SAFETY EQUIPMENT**, such as those dust masks that are specially designed to filter out microscopic particles.

2. **READ** this entire manual. **LEARN** how to use the tool for its intended applications.
3. **GROUND ALL TOOLS.** If the tool is supplied with a 3-prong plug, it must be plugged into a 3-contact electrical receptacle. The third prong is used to ground the tool and provide protection against accidental electric shock.
4. **AVOID A DANGEROUS WORKING ENVIRONMENT.** Do not use electrical tools in a damp environment or expose them to rain.
5. **DO NOT USE** electrical tools in the presence of **FLAMMABLE** liquids or gases.
6. **ALWAYS KEEP THE AREA CLEAN,** well lit, and organized. Do not work in an environment with floor surfaces that are slippery from debris, grease, and wax.
7. **KEEP VISITORS AND CHILDREN AWAY.** Do not permit people to be in the immediate work area, especially when the electrical tool is operating.
8. **DO NOT FORCE THE TOOL** to perform an operation for which it was not designed. It will do a safer and higher quality job by only performing operations for which the tool was intended.

GENERAL SAFETY

- 9. WEAR PROPER CLOTHING.**
Do not wear loose clothing, gloves, neckties, or jewellery. These items can get caught in the machine during operations and pull the operator into the moving parts. The user must wear a protective cover on their hair, if hair is long, to prevent it from contacting any moving parts.
- 10. CHILDPROOF THE WORKSHOP AREA**
by removing switch keys, unplugging tools from the electrical receptacles, and using padlocks.
- 11. ALWAYS UNPLUG THE TOOL FROM THE ELECTRICAL RECEPTACLE**
when making adjustments, changing parts or performing any maintenance.
- 12. KEEP PROTECTIVE GUARDS IN PLACE AND IN WORKING ORDER.**
- 13. AVOID ACCIDENTAL STARTING.** Make sure that the power switch is in the "OFF" position before plugging in the power cord to the electrical receptacle.
- 14. REMOVE ALL MAINTENANCE TOOLS**
from the immediate area prior to turning "ON" the machine.
- 15. USE ONLY RECOMMENDED ACCESSORIES.** Use of incorrect or improper accessories could cause serious injury to the operator and cause damage to the tool. If in doubt, check the instruction manual that comes with that particular accessory.
- 16. NEVER LEAVE A RUNNING TOOL UNATTENDED.** Turn the power switch to the "OFF" position. Do not leave the tool until it has come to a complete stop.
- 17. DO NOT STAND ON A TOOL.** Serious injury could result if the tool tips over, or you accidentally contact the tool.
- 18. DO NOT STORE ANYTHING ABOVE OR NEAR** the tool where anyone might try to stand on the tool to reach it.
- 19. MAINTAIN YOUR BALANCE.** Do not extend yourself over the tool. Wear oil resistant rubber soled shoes. Keep floor clear of debris, grease, and wax.
- 20. MAINTAIN TOOLS WITH CARE.** Always keep tools clean and in good working order. Keep all blades and tool bits sharp, dress grinding wheels and change other abrasive accessories when worn.
- 21. EACH AND EVERY TIME, CHECK FOR DAMAGED PARTS PRIOR TO USING THE TOOL.** Carefully check all guards to see that they operate properly, are not damaged, and perform their intended functions. Check for alignment, binding or breaking of moving parts. A guard or other part that is damaged should be immediately repaired or replaced.
- 22. DO NOT OPERATE TOOL WHILE TIRED, OR UNDER THE INFLUENCE OF DRUGS, MEDICATION OR ALCOHOL.**

- 23. SECURE ALL WORK.** Use clamps or jigs to secure the work piece. This is safer than attempting to hold the work piece with your hands.
- 24. STAY ALERT, WATCH WHAT YOU ARE DOING, AND USE COMMON SENSE WHEN OPERATING A POWER TOOL.** A moment of inattention while operating power tools may result in serious personal injury.
- 25. ALWAYS WEAR A DUST MASK TO PREVENT INHALING DANGEROUS DUST OR AIRBORNE PARTICLES,** including wood dust, crystalline silica dust and asbestos dust. Direct particles away from face and body. Always operate tool in well ventilated area and provide for proper dust removal. Use dust collection system wherever possible. Exposure to dust may cause serious and permanent respiratory or other injury, including silicosis (a serious lung disease), cancer, and death. Avoid breathing dust, and avoid prolonged contact with dust. Allowing dust to get into your mouth or eyes, or lay on your skin may promote absorption of harmful material. Always use properly fitting AS/NZS approved respiratory protection appropriate for the dust exposure, and wash exposed areas with soap and water.
- 26. USE A PROPER EXTENSION CORD IN GOOD CONDITION.** Use of extension cords should be avoided where possible. When using an extension cord, be sure to have a cord heavy enough to carry the current your product will draw, and with compatible pin configuration and connections (NEVER use an extension cord rated at less than your machine). Longer run extensions will need heavier duty extension cords. Only connect your extension cord or machine to a receptacle that accepts your plug and never modify your plug to suit a receptacle.

ELECTRICAL SAFETY

WARNING

THIS TOOL MUST BE GROUNDED while in use to protect the operator from electric shock. **IN THE EVENT OF A MALFUNCTION OR BREAKDOWN**, grounding provides the path of least resistance for electric current and reduces the risk of electric shock. This tool may be equipped with an electric cord that has an equipment grounding conductor and a grounding plug. **The plug MUST be plugged** into a matching electrical receptacle that is properly installed and grounded in accordance with **ALL** local codes and ordinances.

DO NOT MODIFY THE PLUG PROVIDED.

If it will not fit the electrical receptacle, have the proper electrical receptacle installed by a qualified electrician.

IMPROPER ELECTRICAL CONNECTION of the equipment grounding conductor can result in risk of electric shock. The conductor with the green insulation (with or without yellow stripes) is the equipment grounding conductor. **DO NOT** connect the equipment grounding conductor to a live terminal if repair or replacement of the electric cord or plug is necessary.

CHECK WITH A QUALIFIED ELECTRICIAN or service personnel if you do not completely understand the grounding instructions, or if you are not sure the tool is properly grounded.

Use only a 3-wire extension cord that has a 3-prong grounding plug and a 3-pole receptacle that accepts the tool's plug. Replace a damaged or worn cord immediately.

Power tools and machinery are intended for use on a circuit that has an electrical receptacle as shown in **FIGURE A** that shows a 10 Amp 3-wire electrical plug and corresponding electrical receptacle that has a grounding conductor.

If this particular tool has been designed and fitted with a two prong electrical plug, ensure it displays the 'Double Insulated' logo shown in **FIGURE B**, before connecting to a 3-wire receptacle.

WARNING

Never modify the standard fitted electrical plugs to fit your receptacle.



OVERVIEW



6" x 12" BELT AND DISC SANDER WITH STAND OVERVIEW

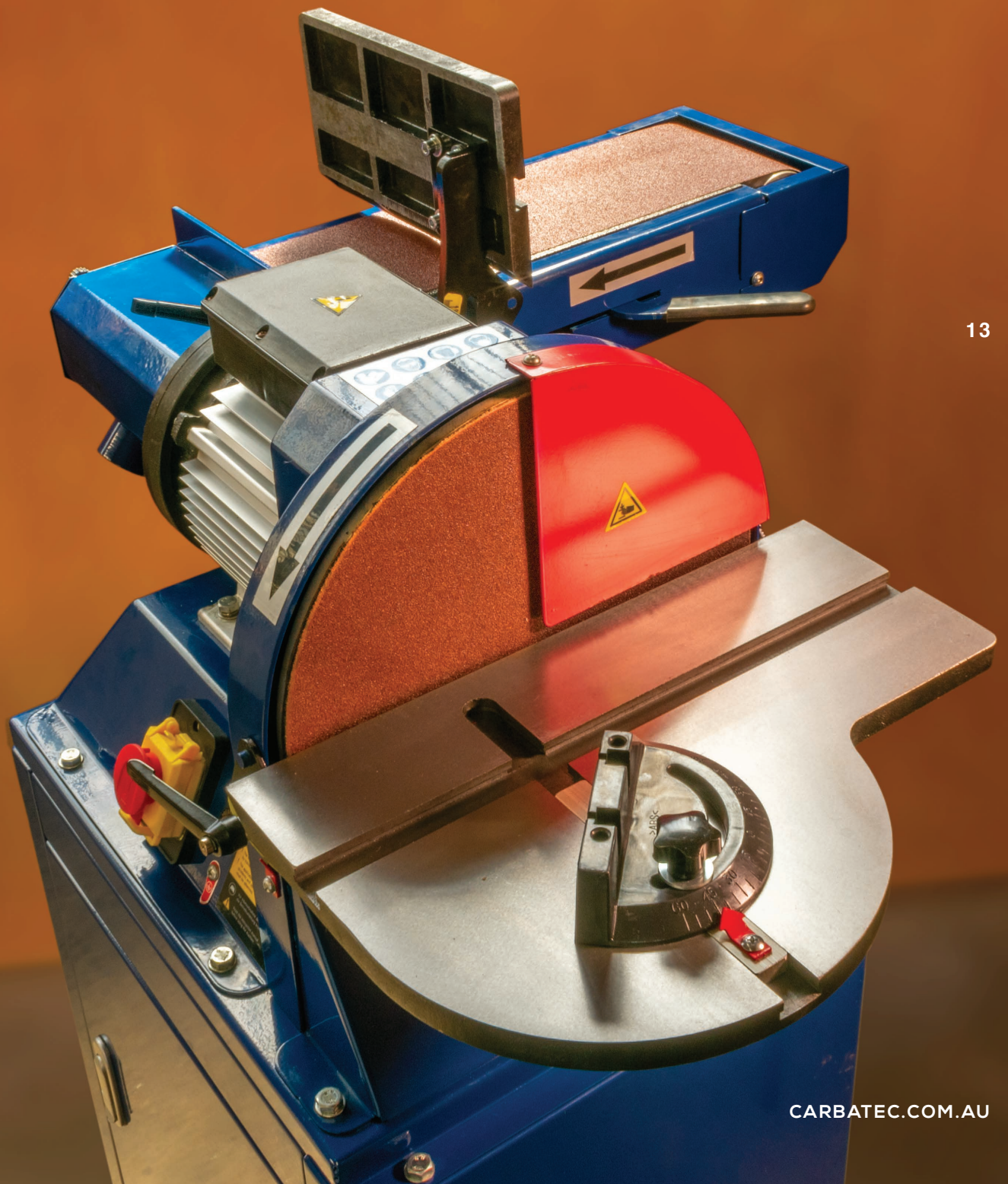
- | | |
|--|--|
| A. Stand | J. Belt table angle adjustment handle |
| B. NVR switch | K. Motor |
| C. Belt housing angle adjustment handle x 2 | L. Disc table |
| D. Belt cover knobs | M. Disc table angle adjustment handle x 2 |
| E. Belt housing | N. Sanding disk |
| F. Belt tracking adjustment knobs | O. Disc guard |
| G. Removable end cover | P. Mitre gauge |
| H. Belt tension lever | Q. 38 mm dust port x 2 |
| I. Belt table | R. Support rod for belt housing |

SPECIFICATIONS

BRAND	Carbatec
WARRANTY	2 years
POWER	230 V / 50 Hz - 10 A Plug
MOTOR	1.1 kW (1.5 HP)
BELT SIZE	150 mm × 1220 mm (6" × 48")
DISC SIZE	305 mm (12")
DUST PORT	2 × 38 mm
BELT TABLE SIZE	260 mm × 150 mm
DISC TABLE SIZE	380 mm × 260 mm
TABLE TILT	0° - 45° (both tables)
BELT SPEED	703 m/min
DISC SPEED	2800 RPM
WORKSHOP FOOTPRINT (W×D×H)	810 mm × 410 mm × 1370 mm
SHIPPING WEIGHT	78 kg
NET WEIGHT	60 kg

**WARNING**

Any uses beyond its designed purpose may be dangerous.
Always wear applicable AS/NZS approved PPE.



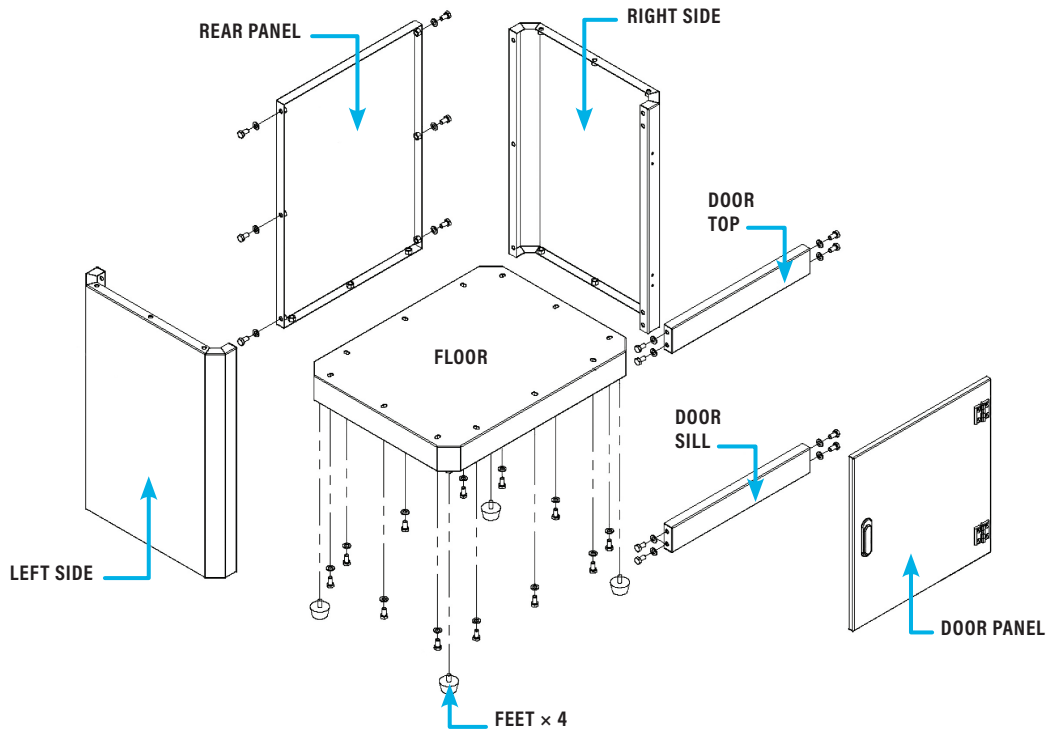
ASSEMBLY

To keep freight costs to a minimum and reduce damage in transport, this Belt and Disc Sander will require a significant amount of assembly and will require some heavy lifting. Ensure you have additional people to assist with lifting etc.

- The Belt and Disc Sander is not pre-assembled. After unpacking, the machine must be installed prior to use.
- Transport the Belt and Disc Sander in its packing crate to a place near its final installation site before unpacking it.
- If the packaging shows signs of possible transport damage, take the necessary precautions not to damage the machine when unpacking.
- If any damage is discovered, the carrier and/or shipper must be notified of this fact immediately to establish any claim which might arise.

A. PLACEMENT LOCATION

Consider anticipated workpiece sizes and additional space needed for auxiliary stands, work tables, or other machinery when establishing a location for this machine in the shop. See dimensions on page 12, for reference.



B. STAND ASSEMBLY

Leaving all the nuts finger tight until the stand is fully assembled will ease the assembly.

1. Assemble the rubber feet to the floor.
2. Assemble the door sill and the rear panel to the floor.
3. Install the sides to the floor.
4. Secure the sides to the door sill and the rear panel.
5. Install the door top to the sides.
6. Assemble the door using the provided screws.
7. Ensure all the stand assembly screws are tight.

C. SANDER ASSEMBLY

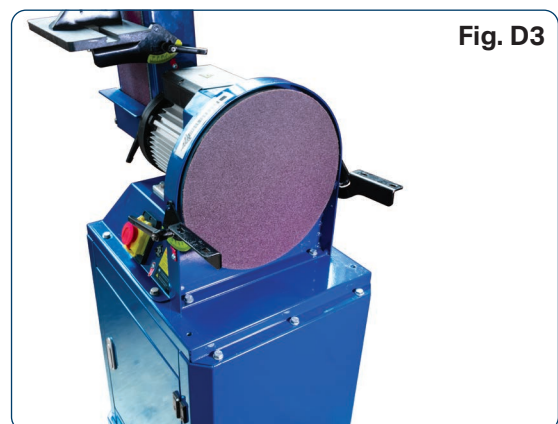
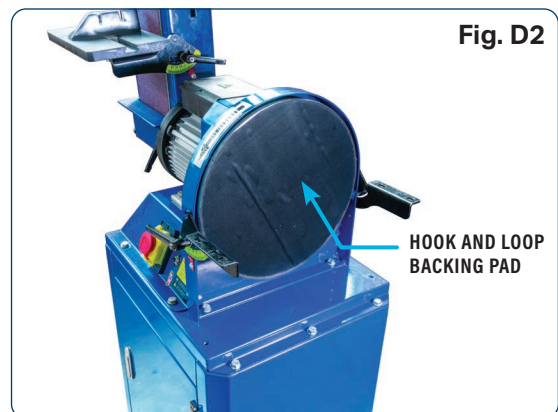
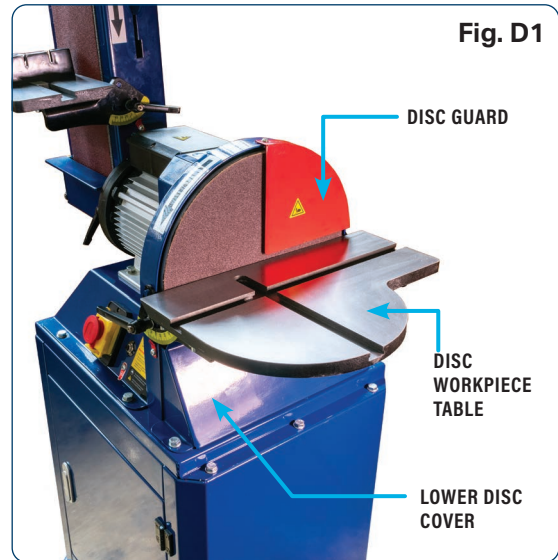
1. Carefully set the sander onto the stand assembly, aligning the holes under the disc table and under the belt with the top of the stand.
2. Use the supplied bolts to securely attach the sander onto the stand assembly.

ASSEMBLY

D. SETTING UP THE DISC SANDER

The disc table comes pre-assembled and needs to be removed before the hook and loop backing pad and sanding paper can be installed.

1. Remove the disc guard.
Fig. D1
2. Remove the disc workpiece table.
3. Remove the lower disc cover.
4. Clean the sanding disc and let it dry completely.
5. Remove the backing paper from the hook and loop backing and stick to sanding disc.
6. Apply the supplied paper to the disc.
Fig. D2 & D3
7. Reverse steps 3 to 1.



OPERATION

E. TEST RUN

Once the assembly is complete, and you have confirmed that all the fasteners are tight, you can test your sander.

1. Make sure the power cord is properly routed and connected to an appropriate outlet.
2. Confirm that the machine is clear of tools and all sanding surfaces are clear.
3. Turn on the machine and make sure that everything is operating correctly.
4. If you find an issue, turn off and disconnect the machine from power.
5. Make sure any issues are corrected before operating the machine again.

F. ALIGNING THE BELT

The belt can be aligned while the machine is running but it is recommended to make sure the belt tracks correctly before turning on machine. This can be done by rotating the belt by hand.

Fig. F

1. Back off the nuts.
2. Loosen the adjustment lock knob.
3. Adjust the belt adjustment knob as necessary to align the belt.
4. Tighten the adjustment lock knob and the nuts.

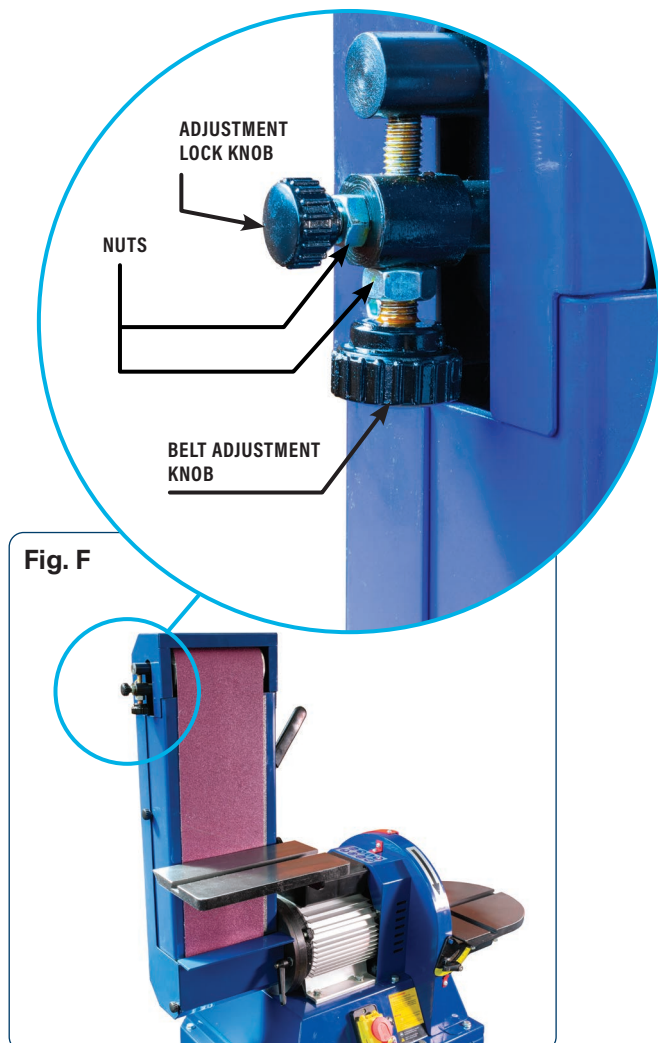
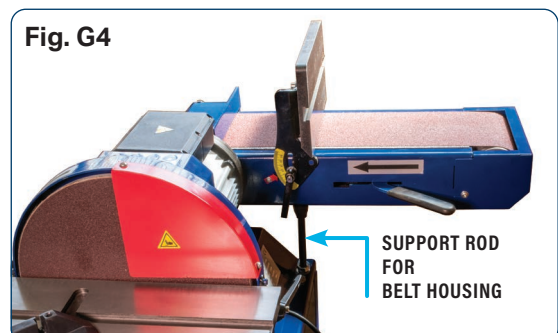
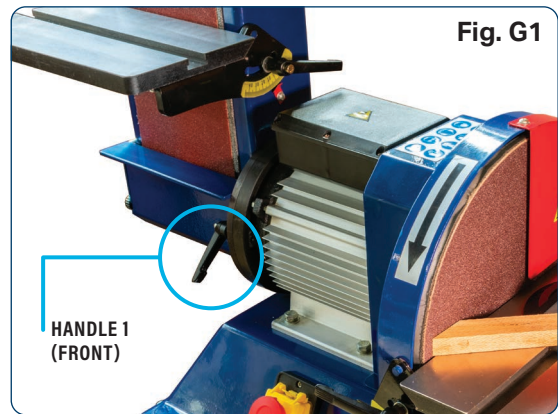


Fig. F

OPERATION

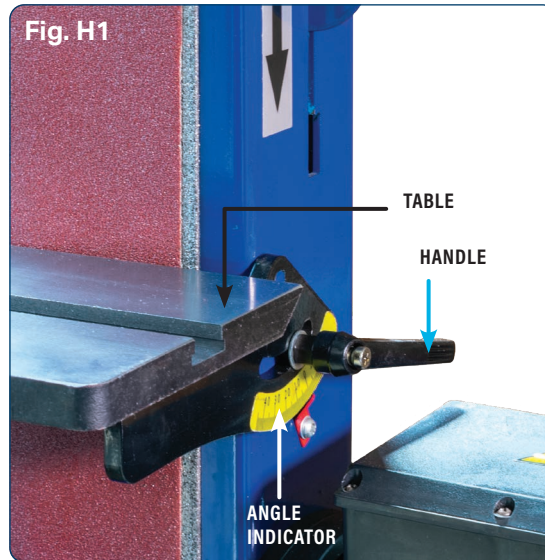
G. ADJUSTING THE BELT HOUSING ANGLE

1. Loosen the two handles.
Fig. G1 & G2
2. The belt housing should rotate easily between vertical and horizontal position.
Fig. G3 & G4
3. Tighten the two handles.



H. ADJUSTING THE BELT TABLE ANGLE

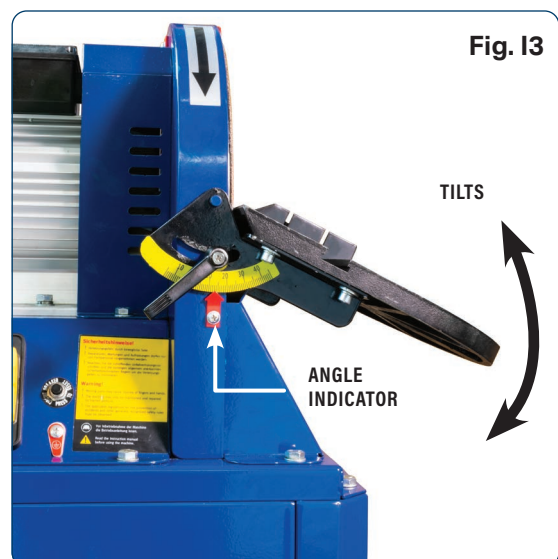
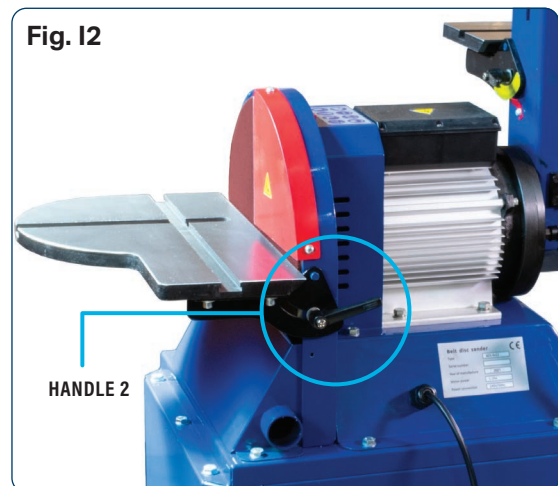
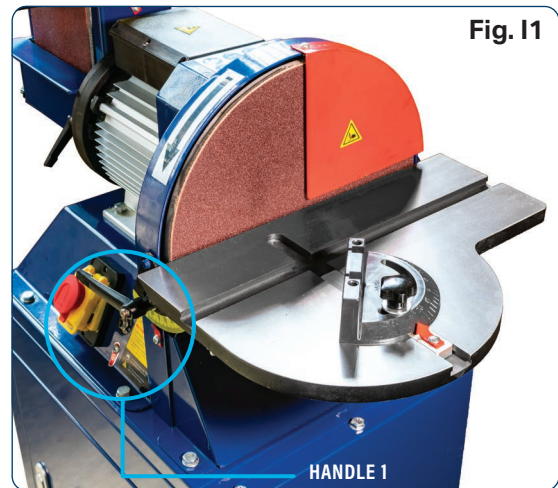
1. Loosen the handle.
Fig. H1
2. Rotate the table to the desired position. The table tilts up to 45°.
Fig. H2
3. Tighten the handle.



OPERATION

I. ADJUSTING THE DISC TABLE ANGLE

1. Loosen the two handles.
Fig. I1 & I2
2. Rotate the table to the desired position. The table tilts up to 45°.
Fig. I3
3. Tighten the two handles.



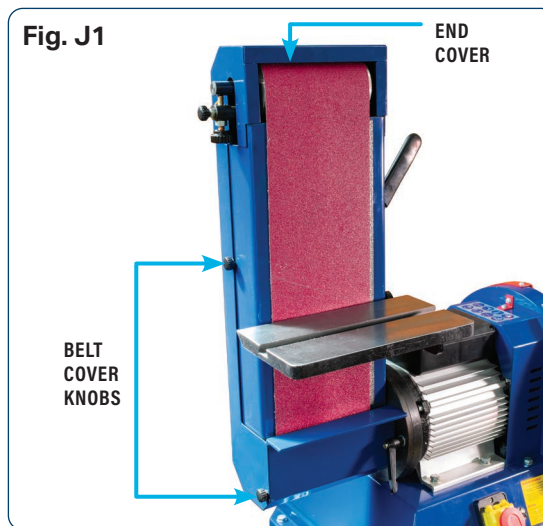
MAINTENANCE

- Keep the machine and all attachments clean.
- Apply a small amount of rust inhibitor to the table frequently to avoid excessive corrosion.
- Carbatec cleaning sticks "Belt-Cleaner-L" or "Belt-Cleaner-M" can be used to clear embedded dust from your sanding discs and belts.

J. CHANGING THE BELT

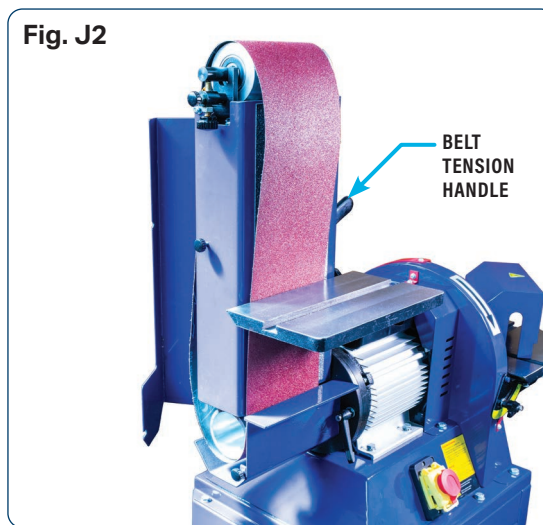
1. Remove the end cover and loosen the two belt cover knobs.

Fig. J1



2. Open the belt cover.

Fig. J2



3. Release the belt tension by lowering the handle and sliding it under the detent.

Fig. J2

4. The belt should slide off the top and bottom rollers.

Fig. J3

5. Replace with the new belt ensuring that the rotation direction is correct.

6. Reverse steps 3 to 1.

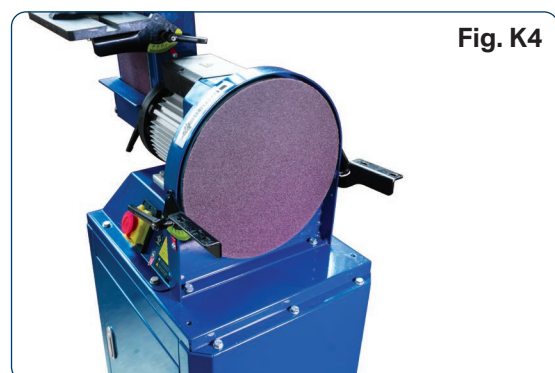
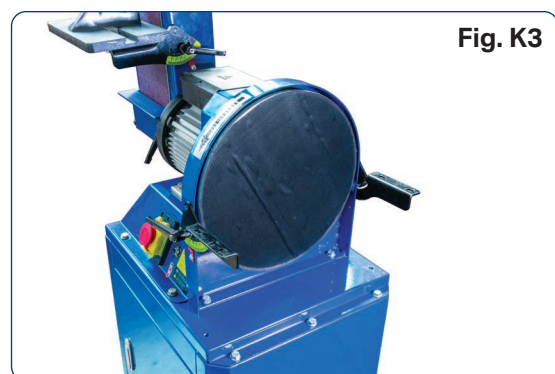
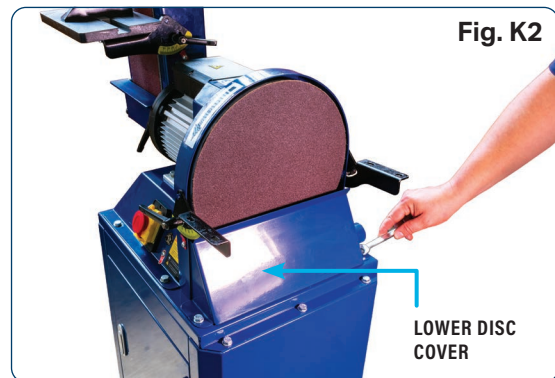
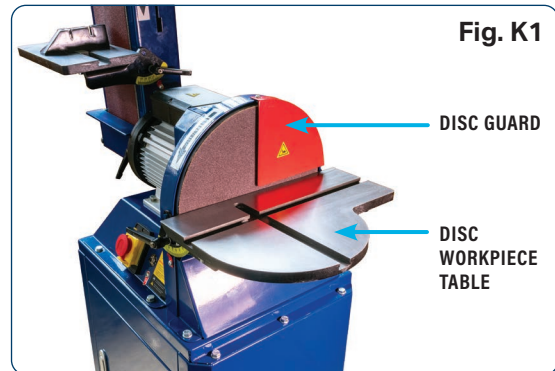
7. Operate the belt by hand to make sure it is tracking correctly before operating the machine.



MAINTENANCE

K. CHANGING THE SANDING DISC

1. Remove the disc guard.
Fig. K1
2. Remove the disc workpiece table.
Fig. K1
3. Remove the lower disc cover.
Fig. K2
4. Remove the used sandpaper.
Fig. K3
5. Apply new sandpaper to the disc.
Fig. K4
6. Reverse steps 3 to 1.



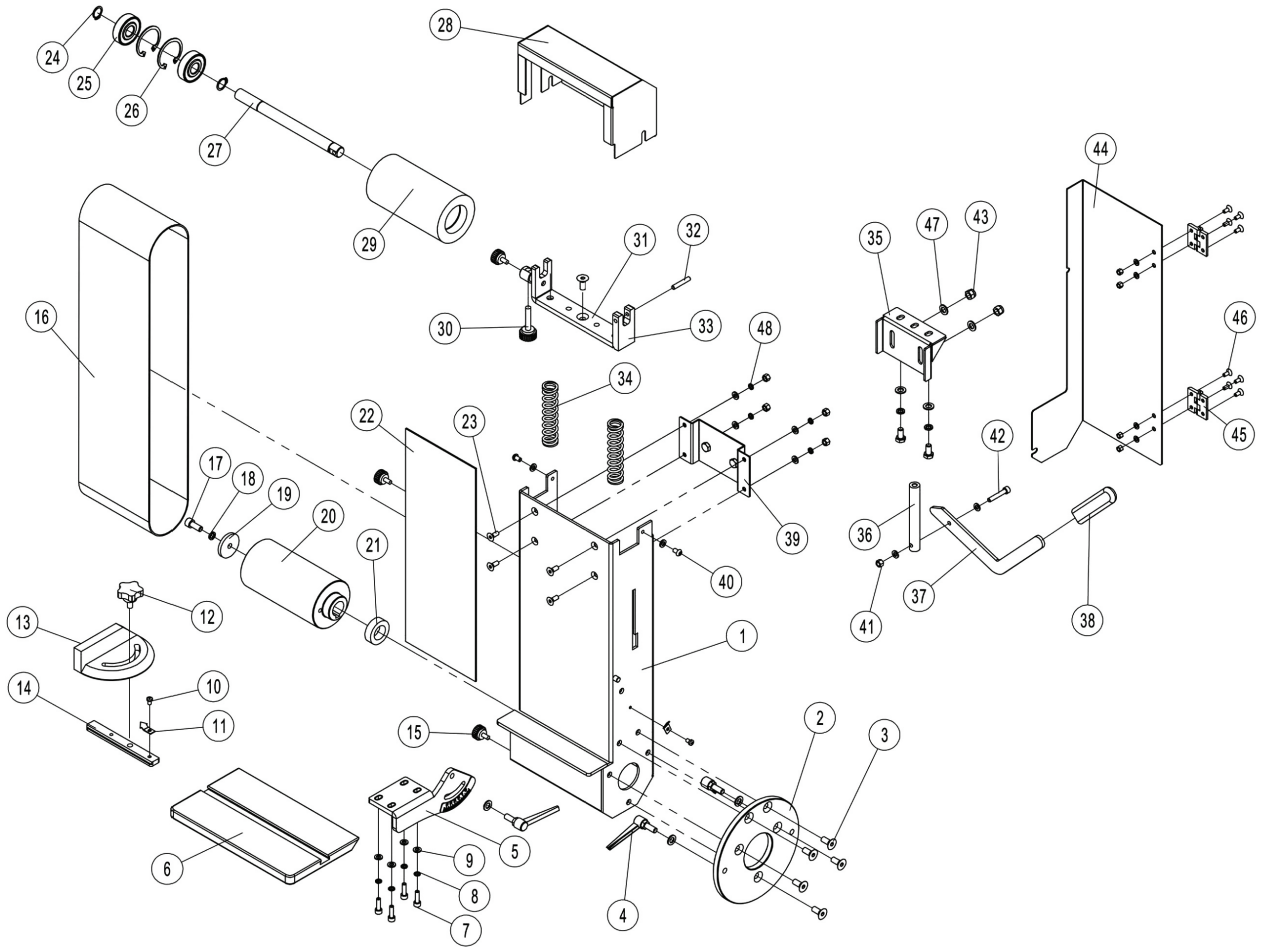
TROUBLESHOOTING

TO PREVENT INJURY TO YOURSELF or damage to the machine, turn the switch to the "OFF" position and unplug the power cord from the electrical receptacle before making any adjustments.

PROBLEM	LIKELY CAUSE(S)	SOLUTION(S)
Belt does not run in the centre.	Belt not correctly adjusted.	Adjust belt tracking.
Belt makes contact with the chassis near the belt.	Graphite backing is worn out.	Replace the graphite backing.
Poor sanding result	1. Wrong belt. 2. Belt worn out.	1. Install the correct belt. 2. Replace worn belt.

PARTS DIAGRAM

Belt Housing Assembly



6" x 12" Belt and Disc Sander with Stand
BDS-1530P

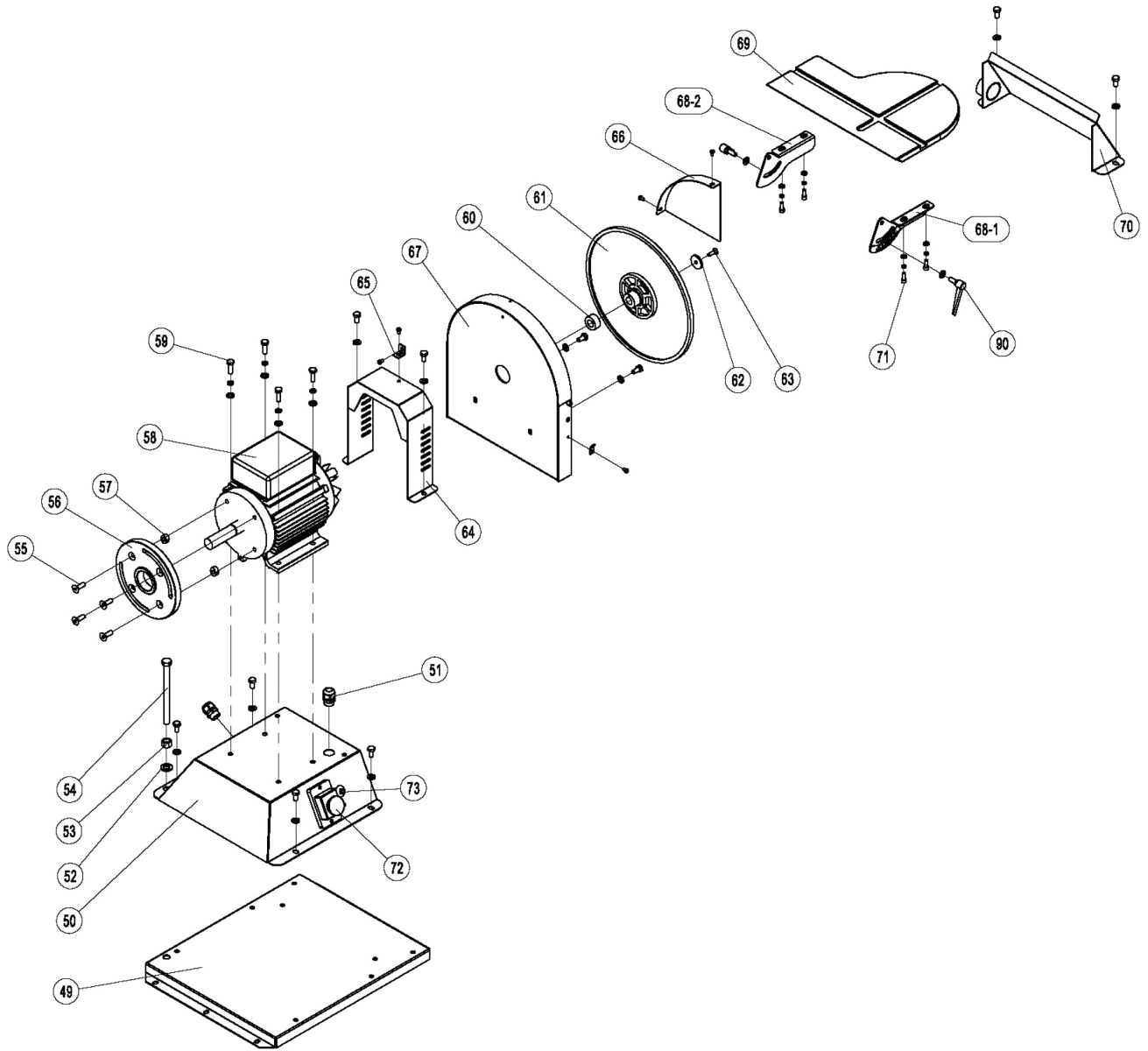
PARTS LIST

Belt Housing Assembly

PART REF.	DESCRIPTION	QTY.	PART REF.	DESCRIPTION	QTY.
1	BELT HOUSING	1	25	BEARING	2
2	RING FLANGE A	1	26	SPRING WASHER	2
3	M8X20 HEXAGON COUNTERSUNK HEAD SCREW	5	27	SHAFT	1
4	BELT ADJUSTMENT HANDLE	1	28	GUARD	1
5	DIVIDED CIRCLE A	1	29	IDLER WHEEL	1
6	SAND BELT TABLE	1	30	BELT TRACKING ADJUSTMENT HANDLE	1
7	M8X20 HEXAGON COUNTERSUNK HEAD SCREW	4	31	M8X20 HEXAGON COUNTERSUNK HEAD SCREW	1
8	SPRING WASHER	4	32	THREADED PIN	1
9	FLAT WASHER	4	33	ROLLER HANDLE	1
10	M5X12 HEXAGON COUNTERSUNK HEAD SCREW	1	34	PRESSURE SPRING	1
11	DIAL NEEDLE	1	35	SLIDING BLOCK	1
12	HANDLE	1	36	PULL ROD	1
13	MITRE GAUGE	1	37	QUICK CHANGE HANDLE	1
14	FIXING COLUMN	1	38	HANDLE SLEEVE	1
15	BELT COVER KNOB	1	39	SLIDE CARRIAGE	1
16	ABRASIVE BELT	1	40	M6X10 FLAT HEAD SCREW	1
17	SOCKET HEAD SCREW	1	41	M6 CAULKING NUT	1
18	WASHER	1	42	M6X35 SOCKET HEAD SCREW	1
19	BEARING	1	43	M6 HEX NUT	1
20	IDLER WHEEL	1	44	BELT COVER	1
21	BEARING	1	45	HINGE	1
22	GRAPHITE PLATE	1	46	M5X12 HEXAGON COUNTERSUNK HEAD SCREW	3
23	M6X10 FLAT HEAD SCREW	6	47	FLAT WASHER	4
24	FLAT GASKET	1	48	M6 LOCK NUT	2

PARTS DIAGRAM

Motor and Disc Assembly



6" x 12" Belt and Disc Sander with Stand
BDS-1530P

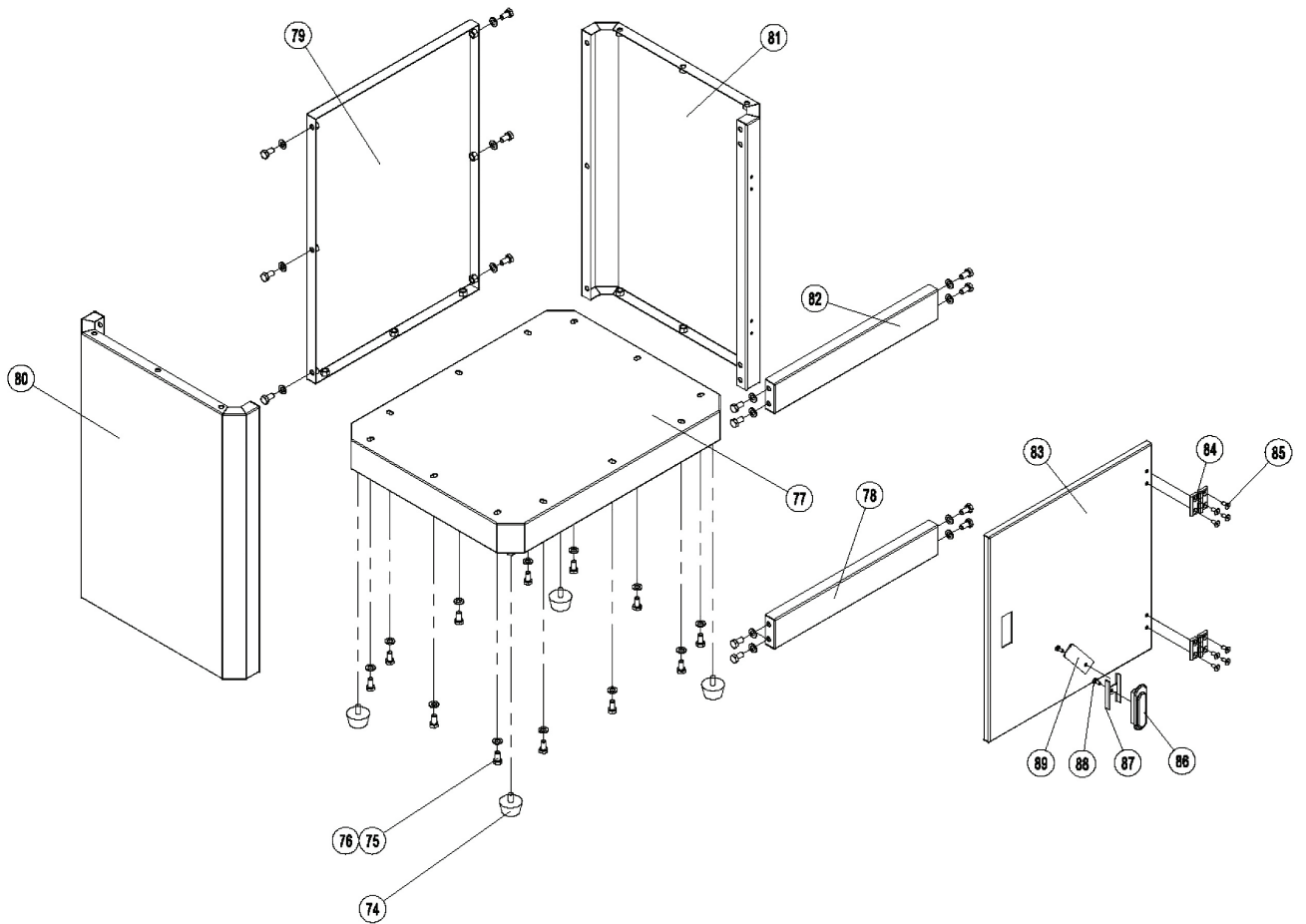
PARTS LIST

Motor and Disc Assembly

PART REF.	DESCRIPTION	QTY.
49	BASE PLATE	1
50	BASE	1
51	CAP NUT	1
52	M8X16 FLAT GASKET	1
53	SPRING WASHER	1
54	M8X25 HEXAGON BOLT	1
55	M8X20 HEXAGON COUNTERSUNK HEAD SCREW	4
56	RING FLANGE B	1
57	LOCK NUT	1
58	MOTOR	1
59	M8X20 HEXAGON COUNTERSUNK HEAD SCREW	4
60	AXLE SLEEVE	1
61	SANDING DISC	1
62	PRESSURE PAD	1
63	M6X20 HEXAGON COUNTERSUNK HEAD SCREW	1
64	MOTOR COVER	1
65	CONNECTION STRAP	1
66	SANDING DISC GUARD A	1
67	SANDING DISC GUARD B	1
68-1	DIVIDING CIRCLE B WITH SCALE	1
68-2	DIVIDING CIRCLE B WITHOUT SCALE	1
69	DISC WORKBENCH	1
70	LOWER SANDING DISC GUARD	1
71	M5X8 CRUCIFORM SLOT SCREW	7
72	SWITCH	1
73	OVERLOAD PROTECTION	1
90	HANDLE	1

PARTS DIAGRAM

Stand



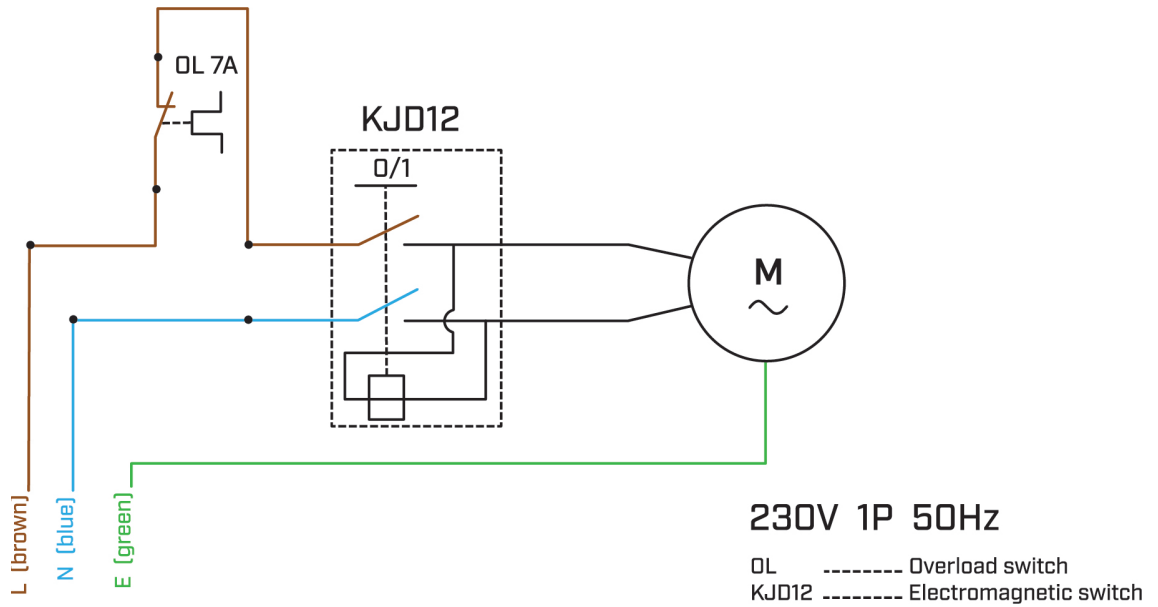
6" x 12" Belt and Disc Sander with Stand
BDS-1530P

PARTS LIST

Stand

PART REF.	DESCRIPTION	QTY.
74	RUBBER FEET	4
75	SOCKET HEAD SCREW	12
76	FLAT GASKET	12
77	BASE PLATE	1
78	FIXING PLATE	1
79	BACK BOARD	1
80	SIDE BOARD 1	1
81	SIDE BOARD 2	1
82	FIXING PLATE	1
83	DOOR	1
84	HINGE	1
85	COUNTERSUNK HEAD SCREW	4
86	LOCK	1
87	LOCK FRAME	1
88	SCREW	2
89	CONNECTION BOARD	1

WIRING DIAGRAM



2 YEAR WARRANTY

WARRANTY

- A. We warrant that this Carbatec product will be free from defects caused by faulty workmanship or faulty materials for a period of 2 years from date of sale.
- B. This warranty is in addition to other rights and remedies you may have under a law in relation to the goods.
- C. This warranty does not apply in any of the following cases:
- i. Defects arising from:
 1. fair wear and tear;
 2. corrosive atmosphere;
 3. damage or injury caused by deliberate act, lack of care or failure to comply with the recommended care and maintenance for the goods;
 4. improper use of the goods;
 5. alterations or repairs (not made by us) to the goods;
 - ii. defects arising from an event outside of our control such as fire, flood, earthquake or other natural calamity, motor vehicle or other accident, strike, civil unrest, terrorism or war;
 - iii. to accessory items such as after-market jigs, accessories or other items which are not sold or serviced by us and which are not sold with or were not included with the main unit purchased; or
 - iv. to wearable parts such as drive belts/shafts, bearings, bandsaw tyres, motor brushes, blades or abrasive belts/discs or other cutting or machining implements.
 - v. damage caused to any electrical component, where connected to a power supply outside the country for which it was designed (namely Australia or New Zealand).
- D. If this warranty applies and you have complied with the procedure below for making a claim, we will, at our election, either repair the goods (or those parts of the goods recognised as defective) or will provide a replacement within a reasonable time at our expense.
- E. If this warranty applies, the procedure for making a claim is:
- i. you must contact us by email;
 - ii. you must include in the email the following information:
 1. a copy of the order or receipt for the goods;
 2. the serial or batch number printed on the machinery manufacturing plate; and
 3. a detailed description of the fault and how and when it arose; and
 4. If the fault is a type covered by this warranty, we will then make arrangements with you for the return of the goods to us (for repair or replacement) at our cost using our transport providers or we may decide to attend at your premises to repair or replace the goods.
- F. Our liability (and that of our resellers) under this warranty is wholly limited to repair or replacement of the goods (or those parts of the goods recognised as defective) in accordance with the procedure above and you have no right to other compensation, costs or damages under this warranty. But this does not mean that you may not have other rights under a law in relation to the goods.
- G. If following our inspection of goods returned by you under this warranty it is found that this warranty does not apply and you are not otherwise entitled to repair or replacement by us, you must, if requested by us, reimburse our costs including parts, labour and freight.
- H. This warranty is not transferable and only the person who purchased the goods may make a claim.
- I. Where the goods have been exported outside Australia or New Zealand, the Company may not require the Purchaser to return any allegedly faulty or defective Product for evaluation. However, the Company has the right to request the return for evaluation at purchasers cost.

STATUTORY NOTICE

Our goods come with guarantees that cannot be excluded under the Australian Consumer Law. You are entitled to a replacement or refund for a major failure and for compensation for any other reasonably foreseeable loss or damage. You are also entitled to have the goods repaired or replaced if the goods fail to be of acceptable quality and the failure does not amount to a major failure.

6" x 12" Belt and Disc Sander with Stand
BDS-1530P



Carbatec Pty Ltd

E info@carbatec.com.au

AU 1800 658 111

NZ 0800 444 329

128 Ingleston Road, Wakerley,
Queensland Australia 4154

ABN 84 010 706 242

CARBATEC.COM.AU

carbatec®

2 YEAR
WARRANTY